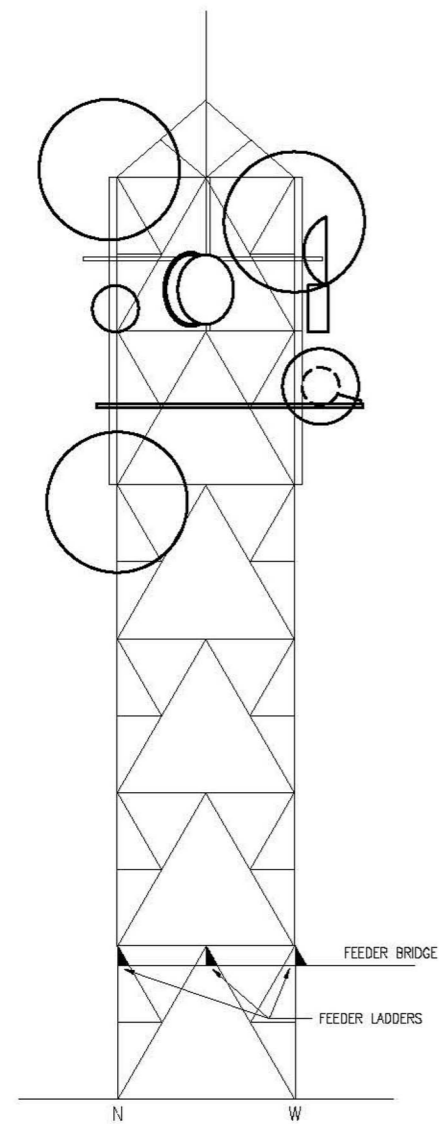
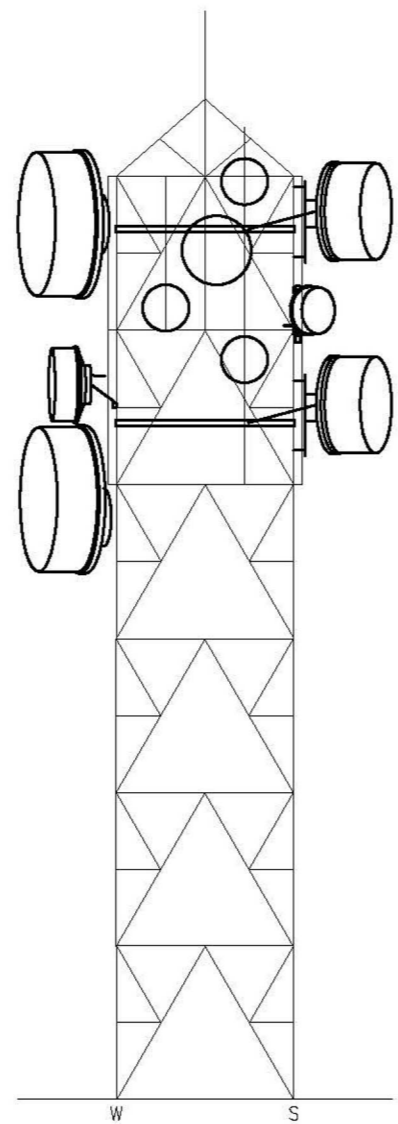


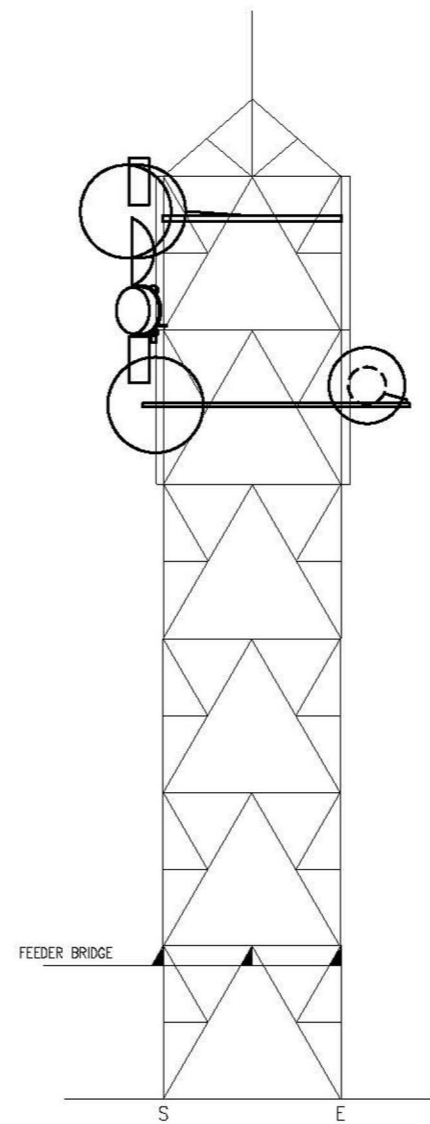
30.0m  
25.0m  
20.0m  
15.0m  
10.0m  
5.0m  
0.0m



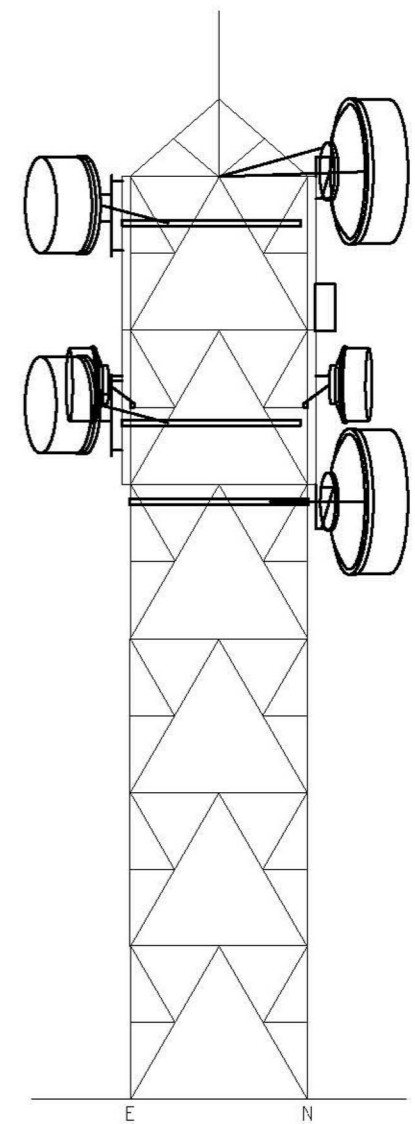
NORTHWEST 309°



SOUTHWEST 219°



SOUTHEAST 129°



NORTHEAST 39°

30.0m  
25.0m  
20.0m  
15.0m  
10.0m  
5.0m  
0.0m

INFORMATION ON THIS DRAWING IS CONFIDENTIAL TO KORDIA LIMITED. IT MUST NOT BE COPIED IN ANY FORM OR BE MADE AVAILABLE TO A THIRD PARTY.

ISS	ORIGIN	BY	DATE	DESIGN CHK	DWG CHK	REVISION DETAILS

TITLE	HUNUA
SUB-TITLE	TOWER ANTENNA LOCATIONS

ANTENNA STATUS:	<input checked="" type="checkbox"/> Proposed	<input type="checkbox"/> In-Service	<input type="checkbox"/> Not In-Service
DRAWN:	C.ROBERTS	DATE:	14.11.89
DESIGN CHK:	S.POWELL	DATE:	14.11.89
DWG CHK:	C.ROBERTS	DATE:	14.11.89
APPROVED FOR ISSUE:			
SIZE	A1	DWG NO	18115-101
REG	W	ISSUE	

HNA